

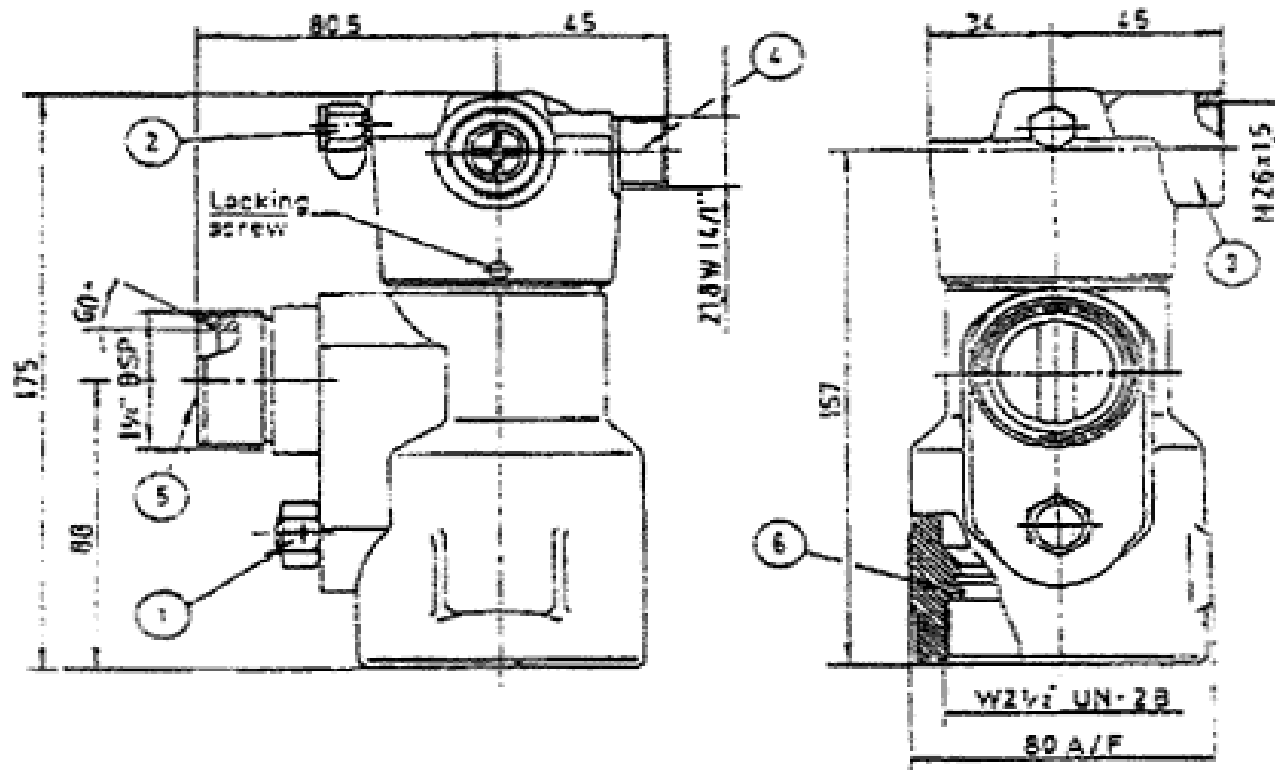
GINGE KERR HALON 1301 SYSTEM VALVES

Release panel 5444

P32

GINGE MALSKITSE
HALON 1301 Ventil 1 1/4 "

Type 06-6441-00
UDGAVE M-01



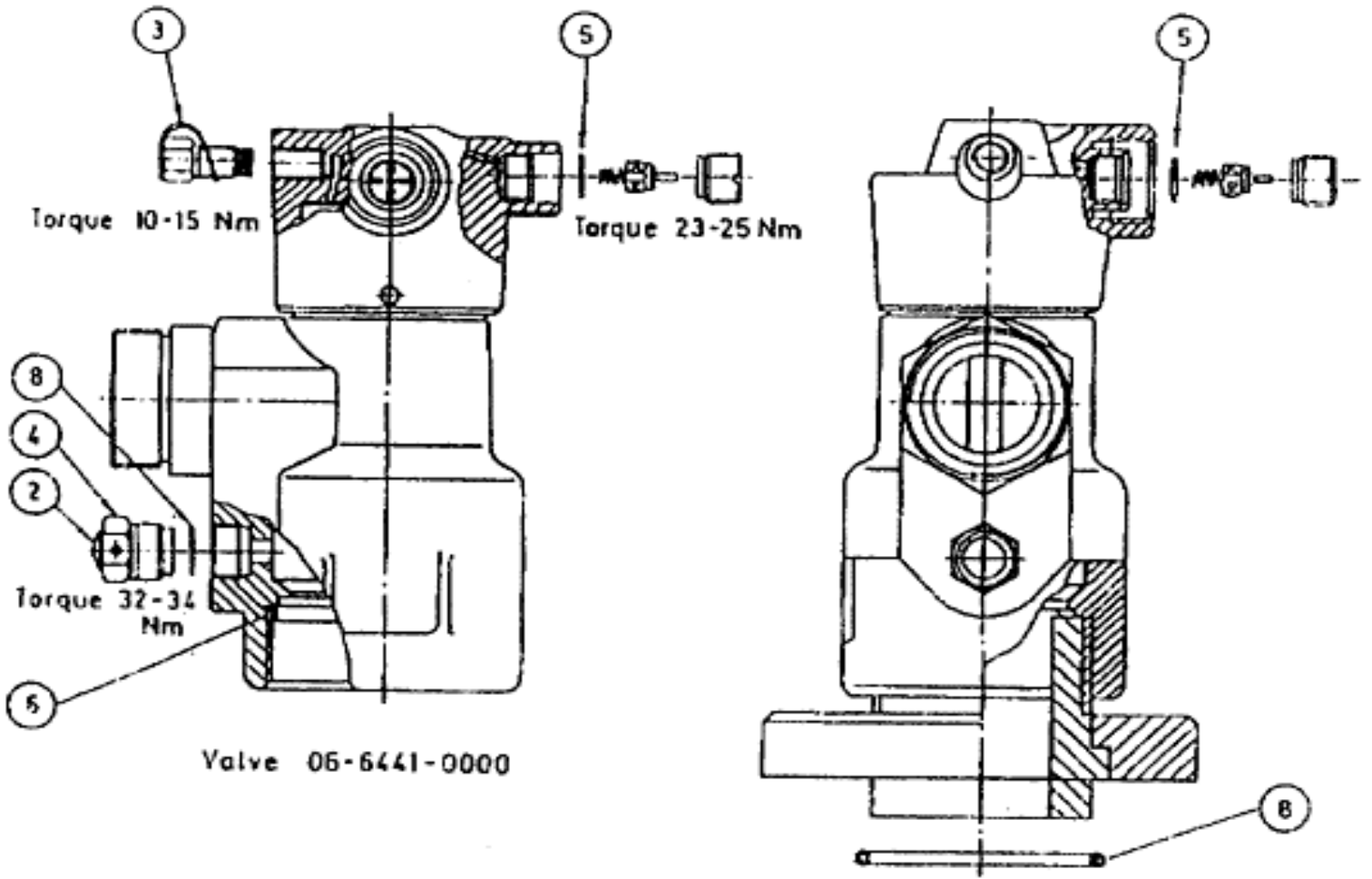
1. Bursting Disc: 190 bar
2. Leek valve w/indicator for pressure operated release
3. Fitting for actuators
4. Fitting for pressure gauge or switch
5. Discharge outlet
6. O-ring

Working pressure: 100 bar

pressure: 150 bar

Weight: 3.7 kg

Material: Brass



GINGE FIRE EXTINGUISHING SYSTEMS

KERR: MADE BY DATE: BV 1985-09- 03

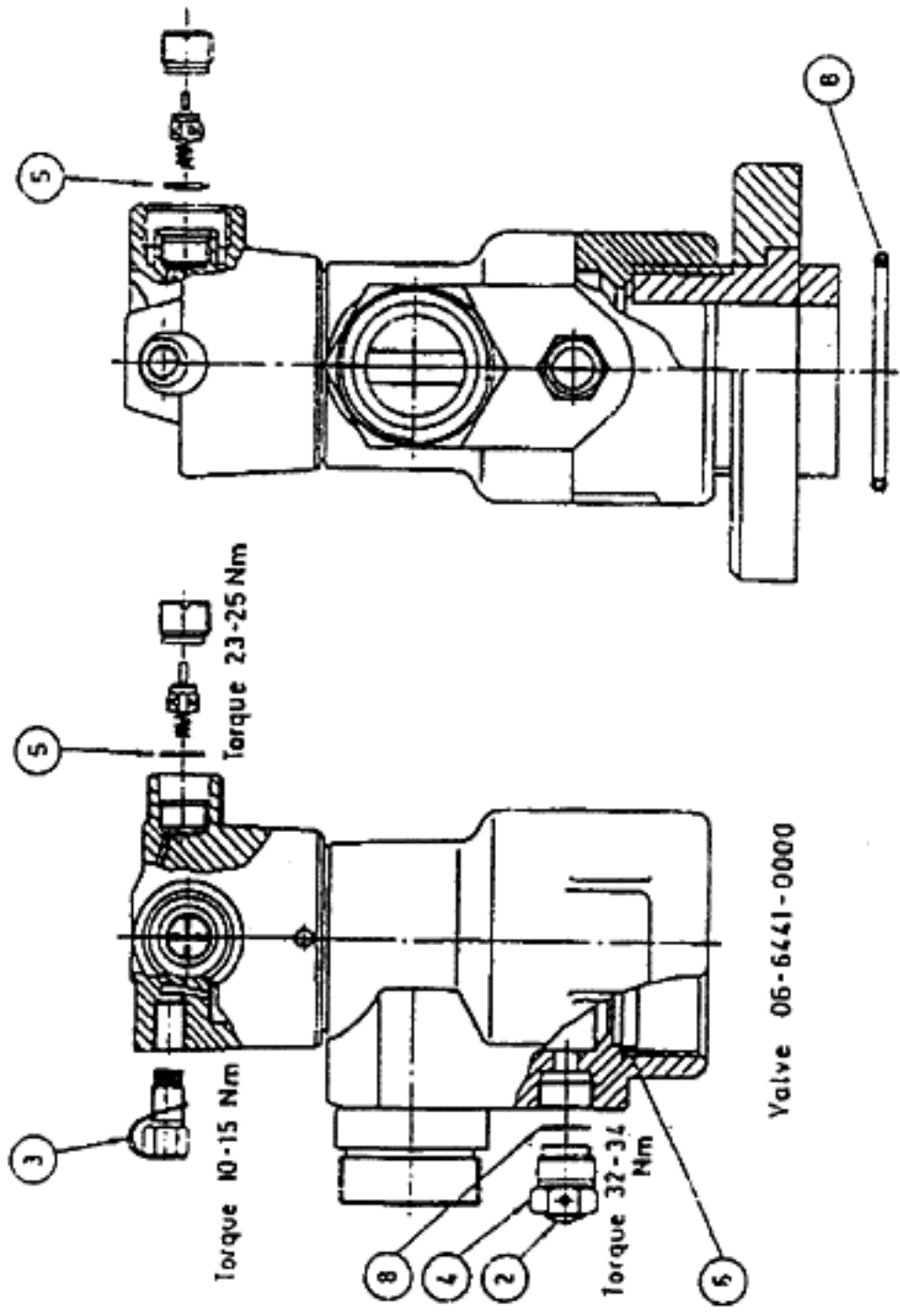
APP BY /DATE: POJ 1985-09-03

DATE OF ISSUE" 1985-09-03

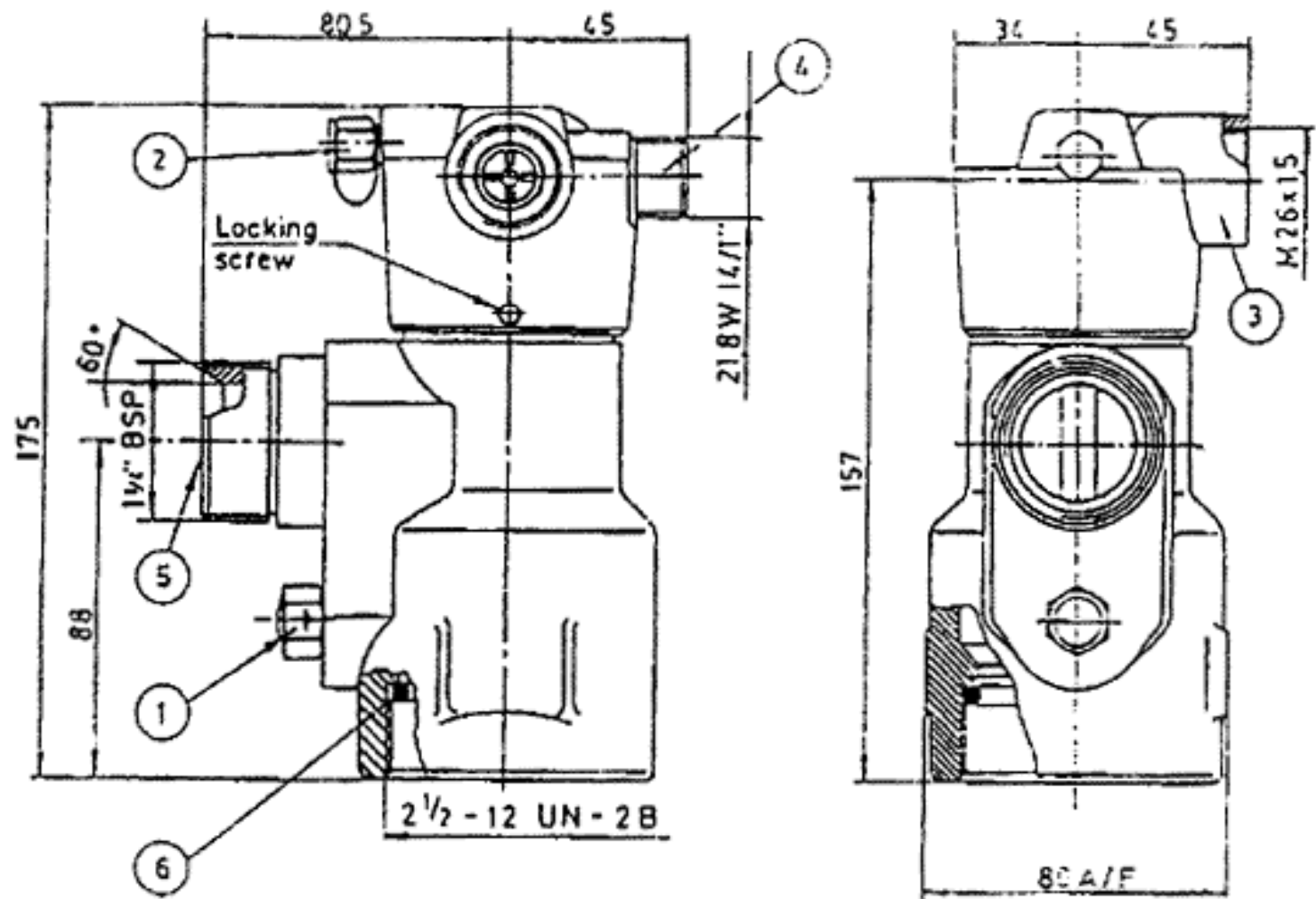
REV: C

CODE NO 06-6441-0000

Pneumatic Halon Valve.



Valve 06-6441-0000



Valve for H1301 High Pressure Cylinder.

The Valve is pneumatically operated by the Actuator.

Pressure for activation: 10 bar at cylinder pressure of 100 bar.

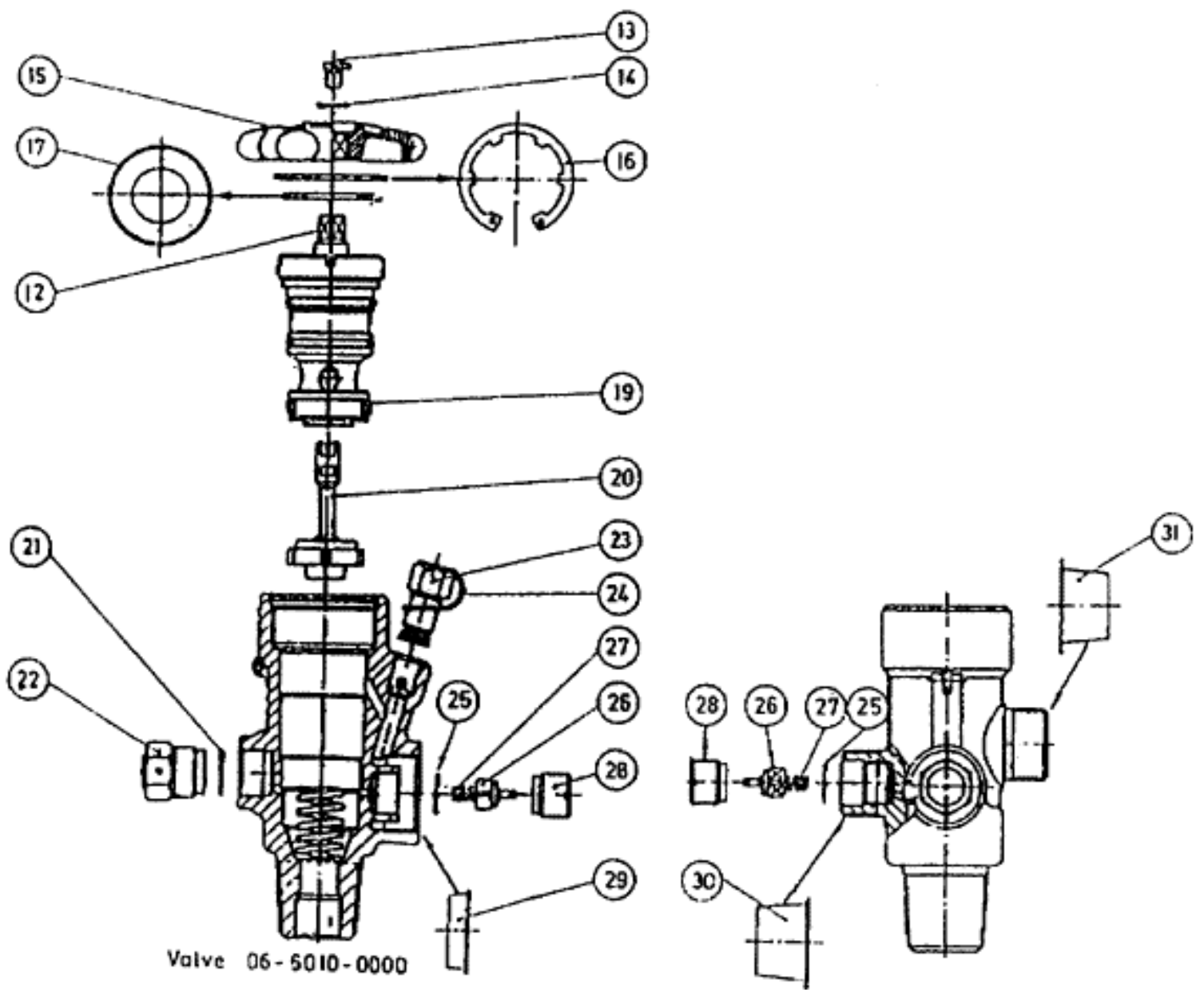
1. Bursting Disc. 190 bar.
2. Bleeder Valve with-Indicator for pressure operated release.
3. Connection for Actuators.
4. Connection for Pressure Gauge and Pressure Switch.
5. Outlet.
6. O-ring, 059.92 x 03.53

Material: Mainly Brass.

Working Pressure: 100 bar.

Test Pressure: 150 bar.

Weight: 3.7 kg



GINGE FIRE EXTINGUISHING SYSTEMS

KERR: MADE BY DATE: BV 1985-09- 03

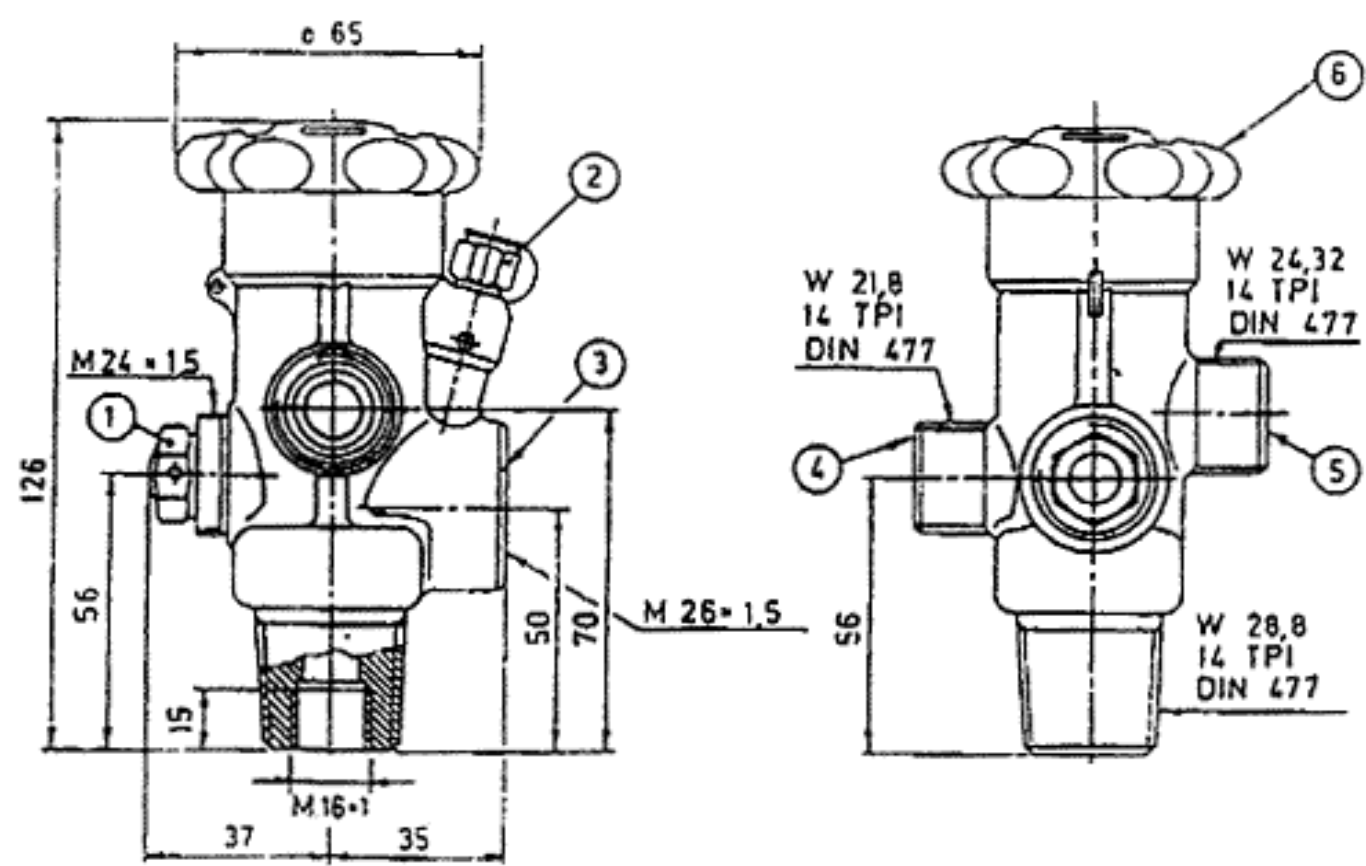
APP BY /DATE: POJ 1985-09-03

DATE OF ISSUE" 1985-09-03

REV: C

CODE NO 06-6441-0000

Pneumatic Halon Valve.



Valve for H1301 High Pressure Cylinder.

The Valve is pneumatically operated by the Actuator.

Pressure for activation: 10 bar at cylinder pressure of 100 bar.

1. Bursting Disc. 190 bar.
2. Bleeder Valve with-Indicator for pressure operated release.
3. Connection for Actuators.
4. Connection for Pressure Gauge and Pressure Switch.
5. Outlet.
6. Handwheel: Colour: gray

Material: Mainly Brass.

Working Pressure: 150 bar.

Test Pressure: 250 bar.

Weight: 1.2 kg

GINGE
 FIRE EXTINGUISHING SYSTEMS
KERR

TYPE
**PRESSURE SWITCH FOR
 42 BARS SYSTEMS.**

DATA SHEET
 Code no.
06-7021-3000

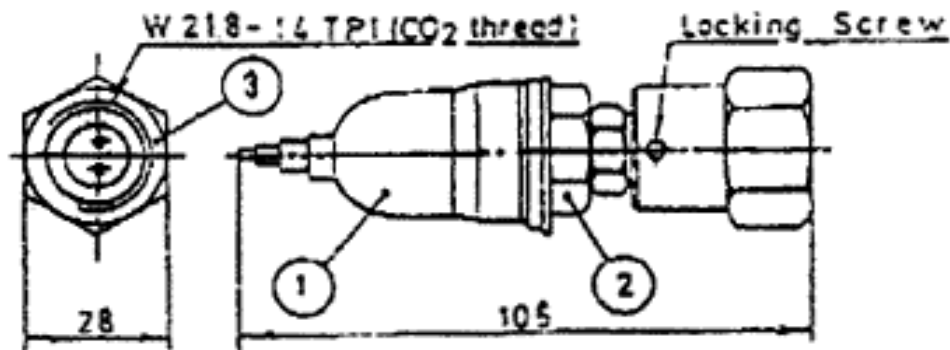
MADE BY/DAT
BV 1984-06-26

APP. BY/CHK
KDC 1984-06-26

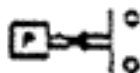
DATE OF ISSUE
1984-06-26

REV
C

PAGE : 1 : 1



The switch shown non-pressurized, normally closed 30 bar



- 1. Rubber Protection cap.
- 2. pressure switch = ax, 42 v DC/AC - 100 VA (IP 65).
- 3. Copper gasket: 015.0 x 019.3 x 1.0.

Material: Mainly brass for each. parts.
 Weight: 0.225 kg.

Authorization Course Release panel 5444

P32

GINGE
 MALSKITSE
 HALON 1301 Flaske 67, 5L Med Ventil "

Type 06-95²⁵26-00
 UDGAVE M-03

1. Halon valve type 06-6441-00
2. Dip-tube
3. Label
4. Protecting cab

Cylinder:

Material: Steel, Painted red

Test pressure:250 bar

Filling Pressure (20° C) : 42 bar

Approved by :TÜV (Dantest)

Certificates from standard: LRS or BV or DNV

Type	Liter	Liter	empty kg	filling Kg	A	B	Dimensional Sketch Halon 1301 Cylinder
06-9525	45, 0	51, 0	29	50	1108	1200	
06-9525	67, 75	82, 6	43	75	1543	1625	

67, 5 L with Valve type 06-95⁽²⁵⁾₍₂₆₎-00

EDITION - M03

[Return to Table of Contents](#)

PYROTRONICS SERIES H HALON 1301 SYSTEM CONTAINERS AND VALVES